

# RO VER GOLD

CNC MACHINING CENTRE



# MAXIMUM PRODUCTIVITY, MINIMUM FOOTPRINT



## THE MARKET EXPECTS

a change in manufacturing processes which enables companies **to accept the largest possible number of orders**. This is coupled with the need to maintain high quality standards whilst offering product customisation with quick and defined delivery times, as well as responding to the needs of highly creative designers.

## BIESSE RESPONDS

with **technological solutions** that influence and support technical expertise as well as process and material knowledge. **Rover Gold** is the compact CNC machining centre designed for high performances capable of meeting various levels of production requirements. It's the ideal machine for those who require a flexible and reliable solution.



# ROVER GOLD

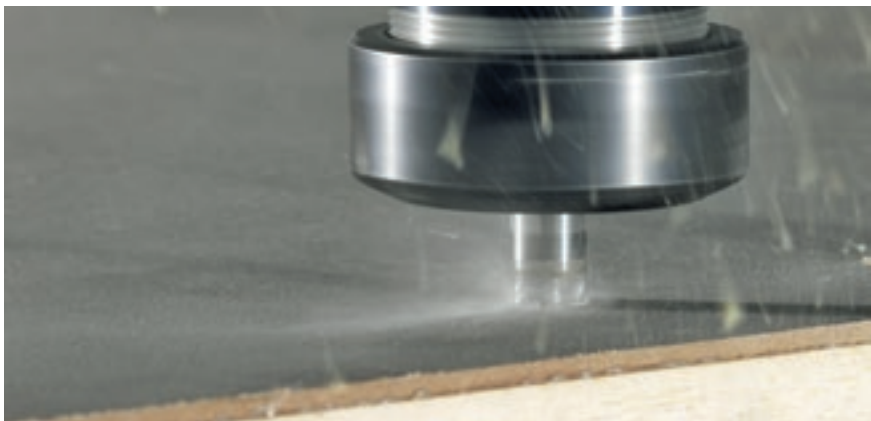
- ✓ A SINGLE PROCESSING CENTRE FOR ALL TYPES OF MACHINING OPERATION
- ✓ HIGH FINISH QUALITY
- ✓ SET UP TIME REDUCTION
- ✓ HIGH-TECH BECOMES ACCESSIBLE AND INTUITIVE
- ✓ MACHINE CUSTOMISATION DEPENDING ON DIFFERENT PRODUCTION REQUIREMENTS

# A SINGLE PROCESSING CENTRE FOR ALL TYPES OF MACHINING OPERATIONS



The Rover Gold is equipped with 3 or 4 independent interpolating axes, and can be fitted with aggregates capable of handling any type of machining operation.





# REDUCED SET UP TIME

The Biesse work table is guaranteed to hold the work piece securely in place and ensures quick and easy tool changeover.



The innovative **ATS (Advanced Table setting-System) work table** has a universal design for great flexibility and fast setup. It is covered by exclusive patents allowing for rapid locking of pieces of any shape and size, with a drastic reduction in setup time.



The quick change coupling system guarantees fast, simple replacement of the **vacuum units** and **Uniclamps** used to lock narrow and particularly thick pieces.



## MAXIMUM LOADABLE PIECE

The open front cowl supports the loading of very-large sizes up to 1700 mm in Y onto the machine, thus enabling the pre-sectioning phase to be skipped or machining operations to be performed for non-standard productions.





It is possible to switch from one machining operation to the next with no need for operator intervention for tool changes with revolver type **12 or 16 pockets tool magazine**, thanks to the large number of tools and aggregates available at machine side.

## ADVANCE OPERATING GROUP GUARD CONFIGURATION





# ROVER TECH NOLO GY

## COMPLETE SOLUTIONS

**The high technological content of the machining centres most widely sold in the world meets the requirements of wood industry professionals.**

Configurations equipped with 3 or 4 independent and interpolation axes and fitted with aggregates capable of handling any type of machining operation. The components of all the configurations are the same as those one used in higher-end solutions.





# HIGH FINISH QUALITY

Electrospindles, boring heads and aggregates are designed and manufactured for Biesse by HSD, the global leader in the mechatronics sector.



HSK F63 electrospindle,  
13.2 kW.

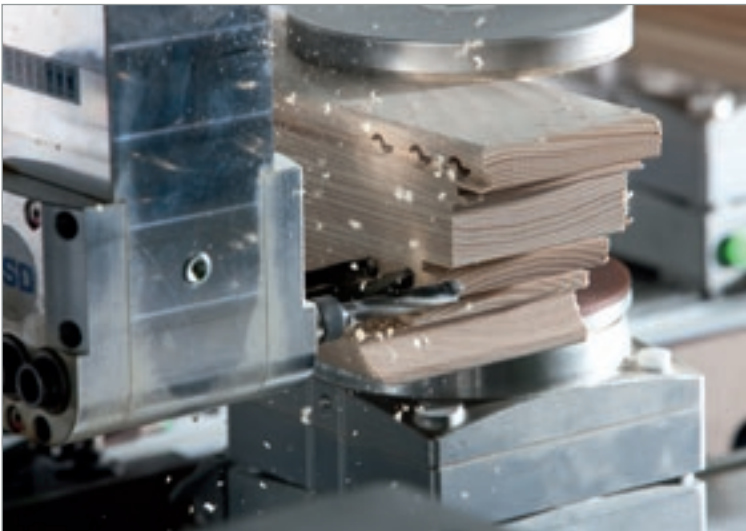


**Interpolating C axis** with continuous rotation of the aggregate on 360.



**Boring Head BHZ 26 2L.**

# AGGREGATES TO PERFORM ANY MACHINING





# OPTIMAL CLEANING OF MACHINED PIECE AND WORK AREA



The **automatic lubrication** ensures the continuous lubrication of the machine's main moving parts without the need for operator intervention.



**Adjustable suction hood** with 6 settings (for 4 axis).

## MAXIMUM OPERATOR SAFETY



Pressure-sensitive **floor mats** enable the machine to operate at constant maximum speed.



**Remote control panel** for direct and immediate operator control.



**Anti-Projection safety strips** guarantee the full operation and total safety in accordance with regulations in force.

## MAXIMUM VISIBILITY OF THE WORKING UNIT

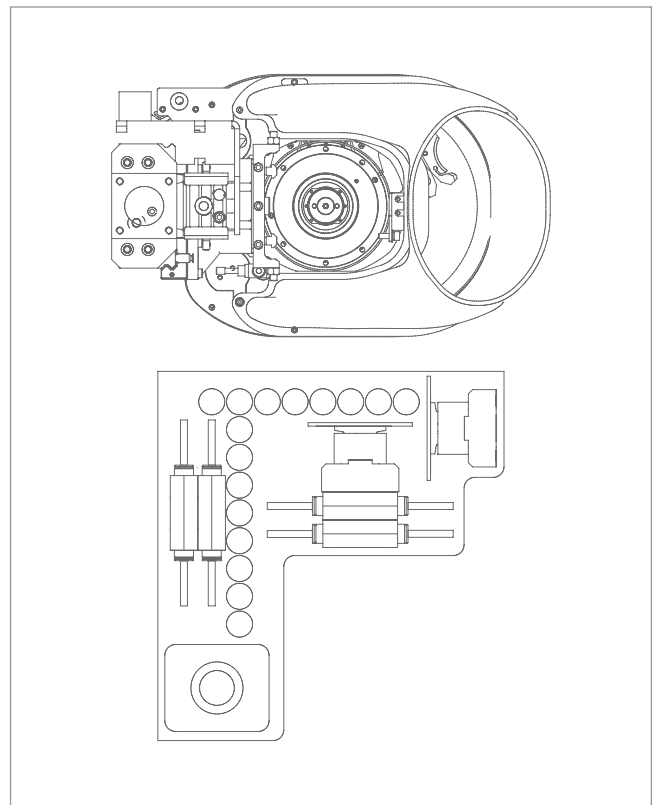
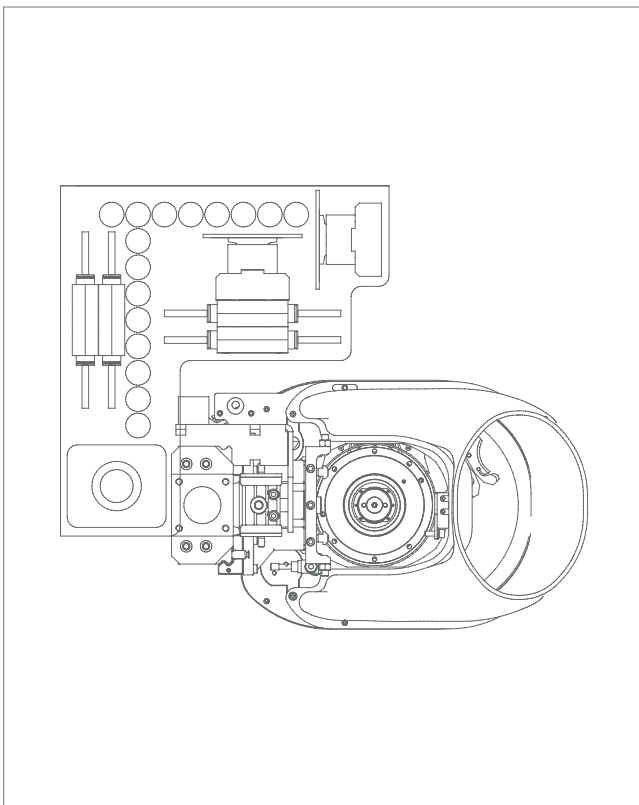
LED bar with 5 colors, indicating the machine status in real time, allowing the operator to check the machine status at any point.



# COMPOSITION OF THE WORKING UNIT

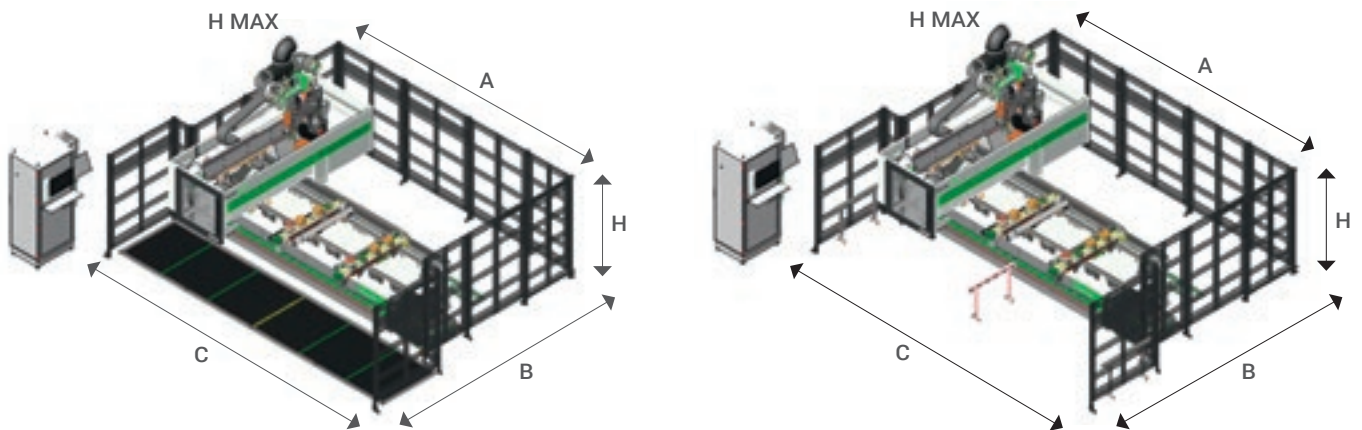


HSK F63  
electrospindle with power levels up to 13.2 kW and boring  
head BHZ 26 2L.





# TECHNICAL SPECIFICATIONS



## FOOT PRINT

	A	B	C	H	H MAX
	mm/inch	mm/inch	mm/inch	mm/inch	mm/inch
<b>Rover Gold 1232</b>	6080/239.3	4864/191.5	5837/229.8	1000/39.3	2430/95.6
<b>X/Y/Z vector speed</b>	80/60/25 m/min - 262.4/196.8/82 ft/min				

## WORKING FIELD

	X	Y	Z
	mm/inch	mm/inch	mm/inch
<b>Rover Gold 1232</b>	3280/129.1	1260/49.6	180/7.0
		1600/63.0	

The technical specifications and drawings are non-binding. Some photos may show machines equipped with optional features. Blesse Spa reserves the right to carry out modifications without prior notice.

The correct noise pressure level, measured from the operator's workstation, is: LP = 78 dB (A), during boring. LP = 78.5 dB (A), during milling. The noise power level is: LWA = 93.5 dB, during boring. LWA = 95.5 dB, during milling. Uncertainty factor K = 4 dB, measured according to EN ISO 3746:1995.

The noise levels shown are emission levels and do not necessarily correspond to safe operation levels. Despite the fact that there is a relationship between emission and exposure levels, this may not be used in a reliable manner to establish whether further measures need to be taken. The factors determining the exposure level for the workforce include length of exposure, work environment characteristics, other sources of dust and noise, etc. i.e. the number of other adjoining machines and processes. At any rate, the above information will enable the operator to better evaluate dangers and risks.

# HIGH-TECH BECOMES ACCESSIBLE AND INTUITIVE



**B\_SOLID IS A 3D CAD CAM SOFTWARE PROGRAM THAT SUPPORTS THE PERFORMANCE OF ANY MACHINING OPERATION THANKS TO VERTICAL MODULES DESIGNED FOR SPECIFIC MANUFACTURING PROCESSES.**

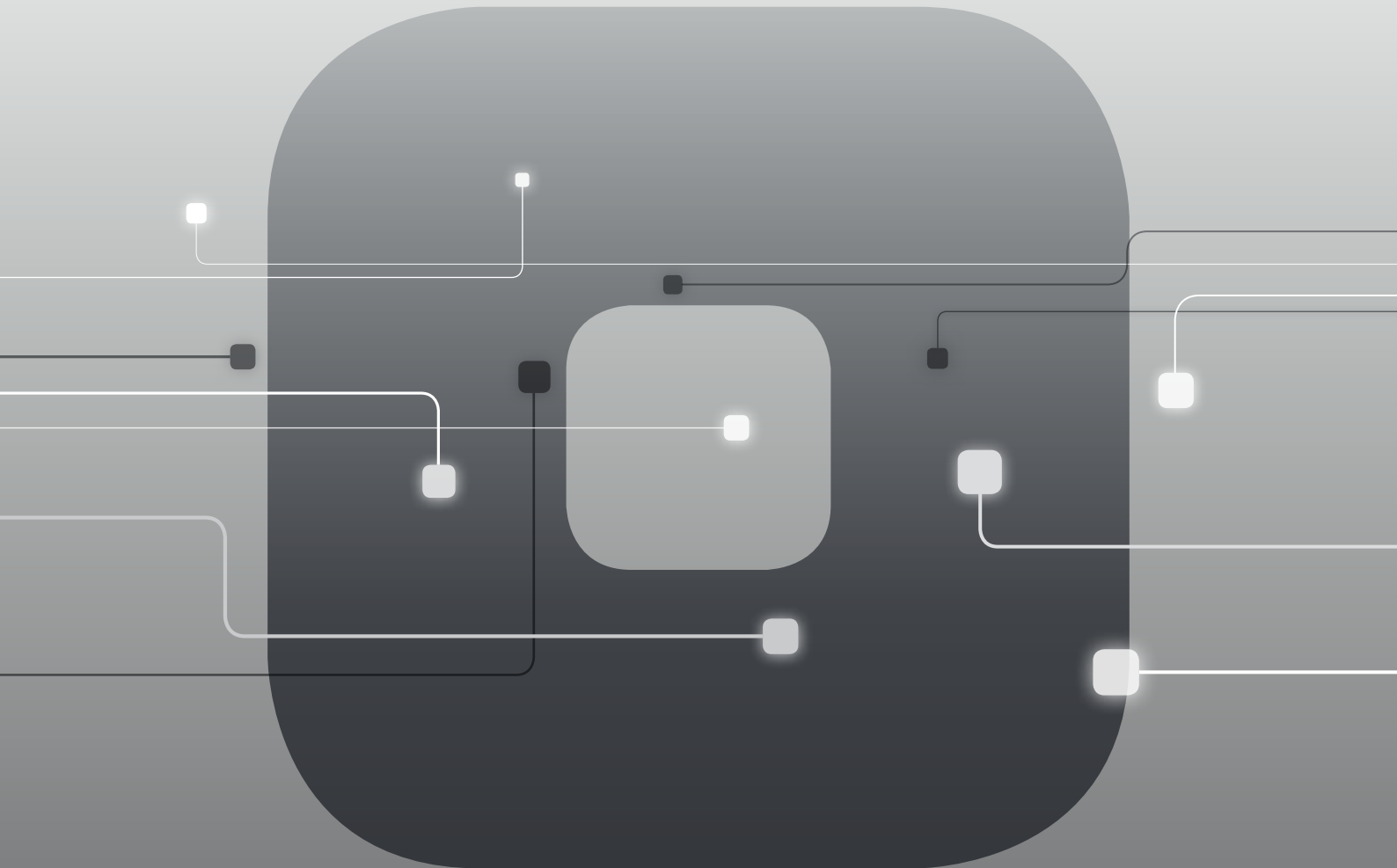
- Planning in just a few clicks.
- Simulating machining operations to visualise the piece ahead of manufacturing and have some guidance for the planning phase.
- Virtual prototyping of the piece to avoid collisions and ensure optimal machine equipment.
- Machining operation simulation with a calculation of the execution time.





# SOPHIA

GREATER VALUE FROM MACHINES



SOPHIA is the IoT platform created by Biesse in collaboration with Accenture which enables its customers to access a wide range of services to streamline and rationalise their work management processes.

It allows alerts and indicators to be sent to the customer in real time, in relation to production, the machines used and the type of process carried out. These are detailed instructions for more efficient use of the machine.

10% CUT IN COSTS

50% REDUCTION  
IN MACHINE DOWNTIME

10% INCREASE  
IN PRODUCTIVITY

80% REDUCTION IN PROBLEM  
DIAGNOSTICS TIME

SOPHIA TAKES THE INTERACTION BETWEEN  
CUSTOMER AND SERVICE TO A HIGHER LEVEL.

**iOT**  
SOPHIA

IoT - SOPHIA provides a comprehensive overview of the specific machine performance features, with remote diagnostics, machine stoppage analysis and fault prevention. The service includes a continuous connection with the control centre, the option of calling for assistance from within the customer app (such calls are managed as priorities), and an inspection visit for diagnostic and performance testing within the warranty period. Through SOPHIA, the customer receives priority technical assistance.

**PARTS**  
SOPHIA

PARTS SOPHIA is the easy new, user-friendly and personalised tool for ordering Biesse spare parts. The portal offers customers, dealers and branches the chance to navigate within a personalised account, consult the constantly updated documentation of the machines purchased, and create a spare parts purchase basket indicating the real time availability in the warehouse and the relative price list. In addition, the progress of the order can be monitored at all times.

 **Biesse**

# CUSTOMER CARE IS WHO WE ARE

**SERVICES** is a new experience for our customers, to offer not just excellent technology but the added value of an increasingly direct connection with the company, the professionals who work there and the experience they embody.



## **ADVANCED DIAGNOSTICS**

Digital channels for remote interaction online 24/7. Always ready to intervene on-site seven days a week.



## **A WORLDWIDE NETWORK**

39 branch offices, over 300 certified agents, retailers in 120 countries, and spare parts warehouses in America, Europe and the Far East.



## **SPARE PARTS AVAILABLE IMMEDIATELY**

Identification, shipping and delivery of spare parts for every need.



## **EVOLVED TRAINING OPPORTUNITIES**

Lots of on-site, online and classroom training modules for personalised growth.



## **VALUABLE SERVICES**

A wide range of services and software packages to help our customers achieve continuous improvements in performance.

## AN EXCELLENT LEVEL OF SERVICE

**+550**

HIGHLY SPECIALISED  
TECHNICIANS AROUND  
THE WORLD, READY TO HELP  
CUSTOMERS WITH EVERY  
NEED

**90%**

OF MACHINE DOWN CASES  
WITH RESPONSE TIME  
UNDER 1 HOUR

**+100**

EXPERTS IN DIRECT  
CONTACT THROUGH  
REMOTE CONNECTIONS  
AND TELESERVICE

**92%**

OF SPARE PARTS ORDERS  
FOR MACHINE DOWNTIME  
PROCESSED WITHIN 24  
HOURS

**+50.000**

ITEMS IN STOCK IN THE  
SPARE PARTS WAREHOUSES

**+5.000**

PREVENTIVE MAINTENANCE  
VISITS

**80%**

OF SUPPORT REQUESTS  
SOLVED ONLINE

**96%**

OF SPARE PARTS ORDERS  
DELIVERED IN FULL ON TIME

**88%**

OF CASES SOLVED WITH  
THE FIRST ON-SITE VISIT



# MADE WITH BIESSE

## BIESSE GROUP TECHNOLOGIES JOIN FORCES WITH LAGO'S INNOVATION AND TOTAL QUALITY MANAGEMENT PROCESSES.

In the crowded world of domestic design, Lago takes its place as an emerging brand, thanks to a collection of stimulating products and a corporate philosophy that embraces the interaction between business and art, coupled with on-going research into sustainable development.

"We created a number of projects, or rather, concepts - states Daniele Lago - that have shaped Lago as we see it today: we saw design as a cultural vision that applies not only to individual products, but rather to the entire business chain".

"Flexibility is the key word here at Lago" says Carlo Bertacco, Manufacturing Manager. "We started to introduce the concept of processing only outstanding orders, which enabled us to reduce our footprint and empty the site from the very beginning".

"The machinery that we purchased - states Bertacco - is great, it entailed a limited investment versus the capabilities it offers and is linked to a specific manufacturing approach. What I am talking about is a given manufacturing

volume with Lago-standard quality levels and the possibility of customising as late as possible, at the customer's request: in short, the very basic principles of lean manufacturing".

*Source: IDM Industria del Mobile  
Lago, our customer since 1999, is one of most prestigious Italian furniture brands in the world.*

LAGO.IT



Founded in Italy,  
international native.

We are an international company that manufactures integrated lines and machines to process wood, glass, stone, plastic and composite materials and what will come next.

Thanks to our rooted competence nurtured by an ever-growing worldwide network, we support your business evolution – empowering your imagination.

Master of materials, since 1969.

We simplify your  
manufacturing  
process to make  
the potential of  
any material  
shine.



Join the  
Biesse world.

[biesse.com](https://www.biesse.com)



